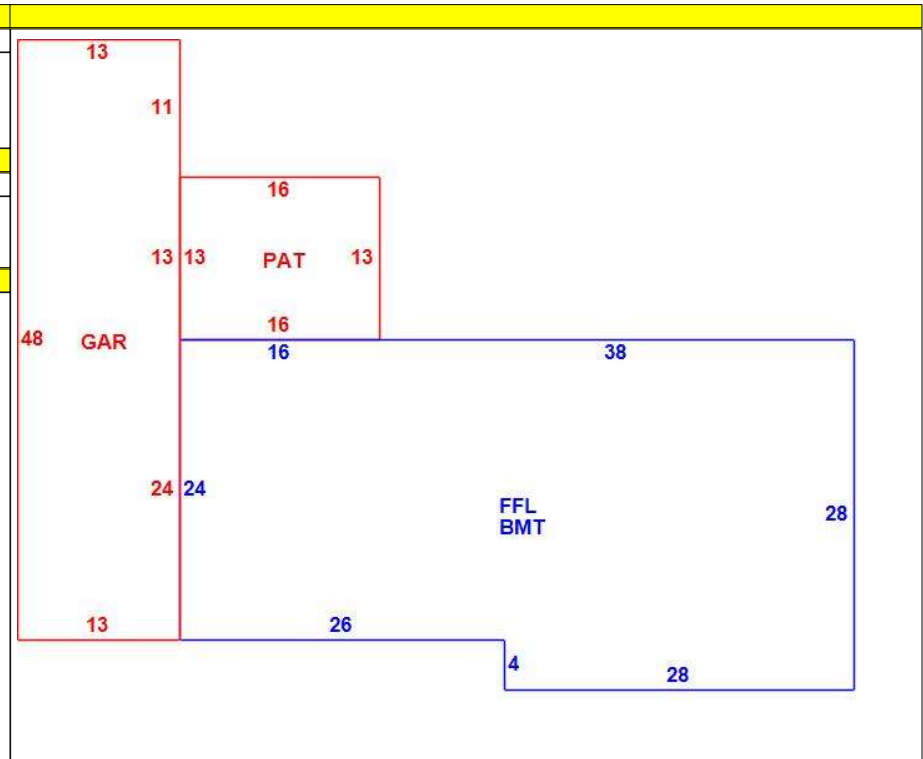




CONSTRUCTION DETAIL			CONSTRUCTION DETAIL (CONTINUED)		
Element	Cd	Description	Element	Cd	Description
Style	19	RANCH	Central Vac	0	NO
Model	01	RESIDENTIAL	Basement Floor	12	CONCRETE
Grade	C	AVERAGE	Bsmt Garage		
Stories	1.00	1 STORY	Units	1	
Foundation	1	CONCRETE	<b>MIXED USE</b>		
Exterior Wall 1	4	VINYL	Code	Description	Percentage
Exterior Wall 2			101	ONE FAM	100
Roof Structure	1	GABLE			0
Roof Cover	1	ASPHALT SH			0
Interior Wall 1	1	DRYWALL	<b>COST / MARKET VALUATION</b>		
Interior Wall 2			Adj Base Rate		138.17
Interior Floor 1	4	CARPET	RCN		296,748
Interior Floor 2	3	HARDWOOD	Net Other Adj		
Heat Fuel	1	OIL	Year Built		1966
Heat Type	3	FORCED H/W	Effective Year Built		1978
AC Type	03	FULL	Depreciation Code		AV
Bedrooms	3		Remodel Rating		
Full Baths	2		Year Remodeled		
Half Baths	0		Depreciation %		43
Extra Fixtures	0		Functional Obsol		
Total Rooms	6		External Obsol		
Bath Style	A	AVERAGE	Cost Trend Factor		1
Half Bath Style			Condition		
Kitchens	1		% Complete		
Kitchen Style	A	AVERAGE	Overall % Condition		57
Extra Kitchens	0		RCNLD		169,100
Extra Kitchen St			Dep % Ovr		
FBM Sqft			Dep Ovr Comment		
FBM Quality			Misc Imp Ovr		
FIN ATC Sqft			Misc Imp Ovr Comment		
FIN ATC Quality			Cost to Cure Ovr		
Fireplaces	1		Cost to Cure Ovr Comment		
WS Flues					



OB - OUTBUILDING & YARD ITEMS(L) / XF - BUILDING EXTRA FEATURES(B)													
Code	Description	Su	Sub Type	Lan	Units	Unit Price	Yr Blt	%	Dep.	Cond	Gra	Qual	Apprais Va

BUILDING SUB-AREA SUMMARY SECTION							
Subarea	Description	Living	Gross	Eff Area	Unit Cost	Undeprec Value	
BMT	BASEMENT	0	1,408		30.48	42,914	
FFL	1ST FLOOR	1,408	1,408		152.18	214,267	
GAR	GARAGE	0	624		60.97	38,045	
PAT	PATIO	0	208		7.32	1,522	
Ttl Gross Liv / Lease Area		1,408	3,648			296,748	

